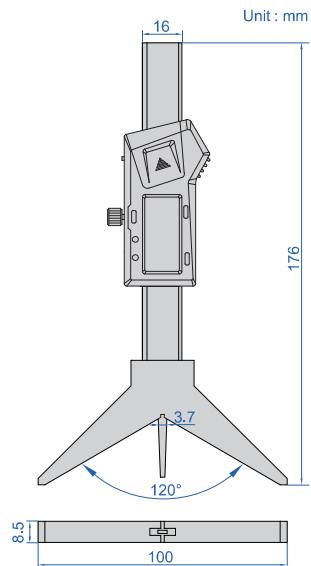


DATA
OUTPUT

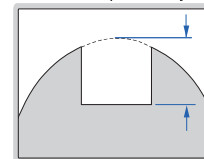
DIGITAL KEYWAY DEPTH GAUGES



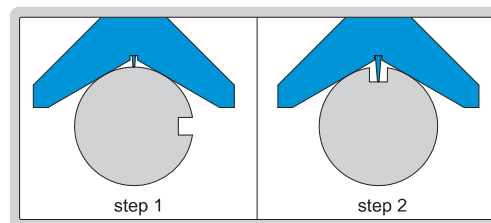
1544-50



measure depth of keyway



- Non waterproof
- Measure keyway depth of cylindrical workpieces with diameter Ø8-180mm
- Buttons: on/off, set, mm/inch, preset (+, -)
- Automatic power off, move the digital unit to turn on power
- Battery CR2032
- data output
- Made of stainless steel



With data interface (optional wireless transmitter code 7315-25, receiver is needed)

Code	Range	Resolution	Accuracy
1544-50	0-50mm/0-2"	0.01mm/0.0005"	±0.03mm

Built-in wireless (receiver code 7315-2/3/6/7/8/9 is needed)

Code	Range	Resolution	Accuracy
1544-50WL	0-50mm/0-2"	0.01mm/0.0005"	±0.03mm